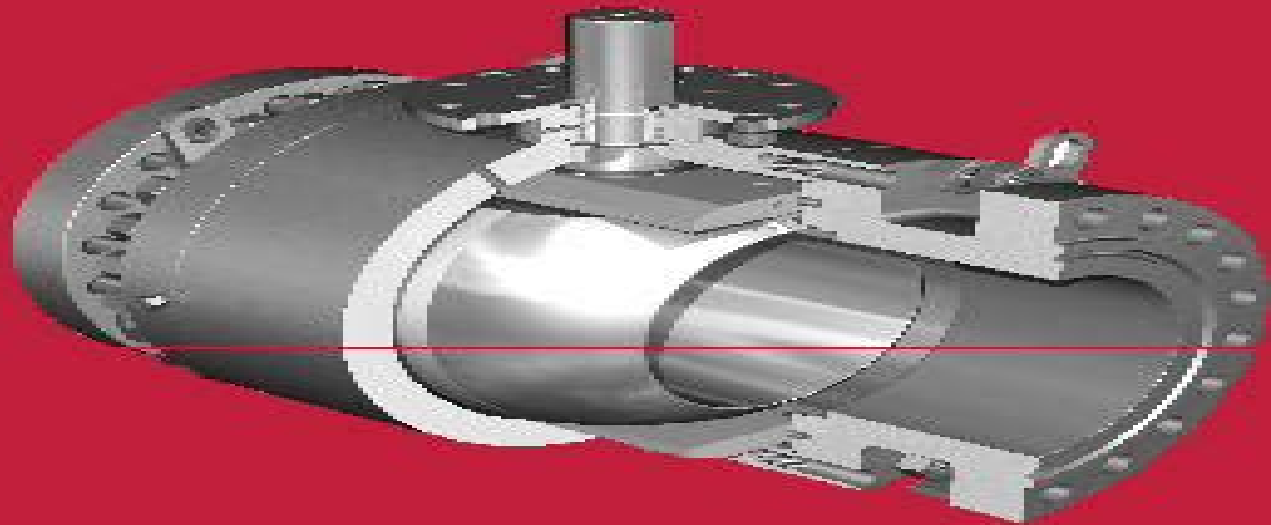


# GLOSSARY OF VALVE TERMS



# Glossary Of Valve Terms

**Walter Soroka**



## Glossary Of Valve Terms:

*Glossary of Valve Terms*, 1980      [A Glossary of Anesthesia and Related Terminology](#) Sanford L. Klein, 2012-12-06 The second edition of this text catches the specialty of anesthesia at what will probably prove to be the apex of its influence and recognition amongst the specialties of medicine The scientific basis of the specialty is becoming increasingly well delineated Anesthesiologists have established themselves in local regional and national forums as spokespersons not only for the specialty but also for medicine in general And the specialty at last may be emerging from the stereotype of a faceless inarticulate shy and retiring figure whose outstanding characteristic was the cloying odor of diethyl ether Technology has moved into the specialty on seven league boots Just as an example the basic design of the anesthesia machine was stable between the early 1950s and certainly the late 1970s Suddenly in the blink of an eye our anesthesia machines are becoming intelligent are utilizing heads up displays and are becoming more and more capable of writing the anesthesia record Monitoring standards for anesthesia have burgeoned to the point that almost every aspect of the specialty is impinged upon by some rule and some thou will or thou will not The importation and creation of terminology is exploding In fact one of the problems in updating this book was deciding when to stop The author hopes that the goal of creating a snapshot in time through definitions of commonly used words and phrases has been achieved      [A Glossary of 864 Valve Terms](#) Jordan Valve, 1967      **Multilingual Glossary of Automatic Control Technology** D. T. Broadbent, M. Masubuchi, 2014-06-28 Extensively revised and updated to include the Japanese language this glossary contains over 2000 detailed definitions of terms in automatic control technology      **Glossary of Terms and Phrases** Henry Percy Smith, 1885      **Glossary of terms for valves and valve parts (for fluids), Part 5: Ball valves**,      *Medical Terminology* Barbara J. Cohen, Ann DePetris, 2013-02-08 *Medical Terminology An Illustrated Guide 7e* by Barbara Janson Cohen uses a stepwise approach to learning medical terminology Part 1 describes how medical terms are built from word parts Part 2 introduces body structures diseases and treatments and Part 3 describes each body system Individual chapters also build on knowledge in stages the Key Terms sections list the terms most commonly used more specialized terms are included in a later section entitled Supplementary Terms The current edition includes a robust student ancillary package delivered under the PASSport to Success brand with assessment exercises chapter quizzes and searchable text online and a complete suite of instructor resources The addition of PrepU as a packaging option provides a powerful value to students the online study experience helps them to understand and retain course information and helps instructors to better assess what their students may be struggling with      [Medical Terminology: An Illustrated Guide](#) Barbara Janson Cohen, Shirley A Jones, 2020-02-04 *Medical Terminology An Illustrated Guide Ninth Edition* helps readers develop a fundamental knowledge of the medical terminology necessary for a career in any health care setting      [Handbook of Valves and Actuators](#) Brian Nesbitt, 2011-04-19 Industries that use pumps seals and pipes will also use valves and actuators in their systems This key reference provides anyone who

designs uses specifies or maintains valves and valve systems with all of the critical design specification performance and operational information they need for the job in hand Brian Nesbitt is a well known consultant with a considerable publishing record A lifetime of experience backs up the huge amount of practical detail in this volume Valves and actuators are widely used across industry and this dedicated reference provides all the information plant designers specifiers or those involved with maintenance require Practical approach backed up with technical detail and engineering know how makes this the ideal single volume reference Compares and contrasts valve and actuator types to ensure the right equipment is chosen for the right application and properly maintained Glossary of Terms Used in Water Pollution Control Institute of Water Pollution Control,1975 British Standard Glossary of Terms Used in Electrical Engineering British Standards Institution,1926

**Glossary of terms for valves and valve parts (for fluids), Part 3: Plug valves and cocks ,** **Glossary of terms for valves and valve parts (for fluids), Part 1: Screw-down stop, non-return and gate valves ,** **Glossary of terms for valves and valve parts (for fluids), Part 2: Safety valves and relief valves ,** **Illustrated Glossary of Packaging Terminology** Walter Soroka,2008 Comprising over 4 500 definitions this book provides explanation of the often arcane English language terminology that denotes the materials and manufacturing processes used in different phases of the packaging industry It is suitable for those who use packaging technology **National Bureau of Standards Miscellaneous Publication** ,1952 **Energy Production Systems Engineering** Thomas Howard Blair,2016-12-12 Energy Production Systems Engineering presents IEEE Electrical Apparatus Service Association EASA and International Electrotechnical Commission IEC standards of engineering systems and equipment in utility electric generation stations Includes fundamental combustion reaction equations Provides methods for measuring radioactivity and exposure limits Includes IEEE American Petroleum Institute API and National Electrical Manufacturers Association NEMA standards for motor applications Introduces the IEEE C37 series of standards which describe the proper selections and applications of switchgear Describes how to use IEEE 80 to calculate the touch and step potential of a ground grid design This book enables engineers and students to acquire through study the pragmatic knowledge and skills in the field that could take years to acquire through experience alone Wildfire Terminology Daniel S. Widener,2006 This glossary provides the wildland fire and fire use communities a single source document that covers wildland fire prescribed fire fire use and incident management terminology commonly used by the National Wildfire Coordinating Group NWCG and its Working Teams

**Guidelines for Pressure Relief and Effluent Handling Systems** CCPS (Center for Chemical Process Safety),2010-08-31 Current industry government and public emphasis on containment of hazardous materials makes it essential for each plant to reduce and control accidental releases to the atmosphere Guidelines for Pressure Relief and Effluent Handling Systems meets the need for information on selecting and sizing pressure relief devices and effluent handling systems that will maintain process integrity and avoid discharge of potentially harmful materials to the atmosphere

With a CD ROM enclosed containing programs for calculating flow through relief devices effluent handling systems and associated piping the book offers an important collection of state of the art technology for safely relieving process equipment of such conditions as overpressure overtemperature and or runaway reactions It provides information for two phase and compressible gas flow to select and size pressure relief devices piping and effluent handling equipment such as gravity separators cyclones spargers and quench pools The book has an important collection of state of the art technology for safely relieving process equipment of conditions such as overpressure overtemperature and or run away reactions It provides information for two phase and compressible gas flow to select and size pressure relief devices piping and effluent handling equipment such as gravity separators cyclones spargers and quench pools Special Details CD files for this title can now be found by entering the ISBN 9780816904761 on [booksupport.wiley.com](http://booksupport.wiley.com)

**Mathematical Optimization Terminology**

Andre A. Keller, 2017-11-10 Mathematical Optimization Terminology A Comprehensive Glossary of Terms is a practical book with the essential formulations illustrative examples real world applications and main references on the topic This book helps readers gain a more practical understanding of optimization enabling them to apply it to their algorithms This book also addresses the need for a practical publication that introduces these concepts and techniques Discusses real world applications of optimization and how it can be used in algorithms Explains the essential formulations of optimization in mathematics Covers a more practical approach to optimization

## Reviewing **Glossary Of Valve Terms**: Unlocking the Spellbinding Force of Linguistics

In a fast-paced world fueled by information and interconnectivity, the spellbinding force of linguistics has acquired newfound prominence. Its capacity to evoke emotions, stimulate contemplation, and stimulate metamorphosis is really astonishing. Within the pages of "**Glossary Of Valve Terms**," an enthralling opus penned by a very acclaimed wordsmith, readers set about an immersive expedition to unravel the intricate significance of language and its indelible imprint on our lives. Throughout this assessment, we shall delve into the book's central motifs, appraise its distinctive narrative style, and gauge its overarching influence on the minds of its readers.

[http://www.pet-memorial-markers.com/data/publication/index.jsp/Grand\\_Illusion.pdf](http://www.pet-memorial-markers.com/data/publication/index.jsp/Grand_Illusion.pdf)

### **Table of Contents Glossary Of Valve Terms**

1. Understanding the eBook Glossary Of Valve Terms
  - The Rise of Digital Reading Glossary Of Valve Terms
  - Advantages of eBooks Over Traditional Books
2. Identifying Glossary Of Valve Terms
  - Exploring Different Genres
  - Considering Fiction vs. Non-Fiction
  - Determining Your Reading Goals
3. Choosing the Right eBook Platform
  - Popular eBook Platforms
  - Features to Look for in an Glossary Of Valve Terms
  - User-Friendly Interface
4. Exploring eBook Recommendations from Glossary Of Valve Terms
  - Personalized Recommendations
  - Glossary Of Valve Terms User Reviews and Ratings
  - Glossary Of Valve Terms and Bestseller Lists

5. Accessing Glossary Of Valve Terms Free and Paid eBooks
  - Glossary Of Valve Terms Public Domain eBooks
  - Glossary Of Valve Terms eBook Subscription Services
  - Glossary Of Valve Terms Budget-Friendly Options
6. Navigating Glossary Of Valve Terms eBook Formats
  - ePub, PDF, MOBI, and More
  - Glossary Of Valve Terms Compatibility with Devices
  - Glossary Of Valve Terms Enhanced eBook Features
7. Enhancing Your Reading Experience
  - Adjustable Fonts and Text Sizes of Glossary Of Valve Terms
  - Highlighting and Note-Taking Glossary Of Valve Terms
  - Interactive Elements Glossary Of Valve Terms
8. Staying Engaged with Glossary Of Valve Terms
  - Joining Online Reading Communities
  - Participating in Virtual Book Clubs
  - Following Authors and Publishers Glossary Of Valve Terms
9. Balancing eBooks and Physical Books Glossary Of Valve Terms
  - Benefits of a Digital Library
  - Creating a Diverse Reading Collection Glossary Of Valve Terms
10. Overcoming Reading Challenges
  - Dealing with Digital Eye Strain
  - Minimizing Distractions
  - Managing Screen Time
11. Cultivating a Reading Routine Glossary Of Valve Terms
  - Setting Reading Goals Glossary Of Valve Terms
  - Carving Out Dedicated Reading Time
12. Sourcing Reliable Information of Glossary Of Valve Terms
  - Fact-Checking eBook Content of Glossary Of Valve Terms
  - Distinguishing Credible Sources
13. Promoting Lifelong Learning

- Utilizing eBooks for Skill Development
  - Exploring Educational eBooks
14. Embracing eBook Trends
- Integration of Multimedia Elements
  - Interactive and Gamified eBooks

### **Glossary Of Valve Terms Introduction**

In this digital age, the convenience of accessing information at our fingertips has become a necessity. Whether its research papers, eBooks, or user manuals, PDF files have become the preferred format for sharing and reading documents. However, the cost associated with purchasing PDF files can sometimes be a barrier for many individuals and organizations. Thankfully, there are numerous websites and platforms that allow users to download free PDF files legally. In this article, we will explore some of the best platforms to download free PDFs. One of the most popular platforms to download free PDF files is Project Gutenberg. This online library offers over 60,000 free eBooks that are in the public domain. From classic literature to historical documents, Project Gutenberg provides a wide range of PDF files that can be downloaded and enjoyed on various devices. The website is user-friendly and allows users to search for specific titles or browse through different categories. Another reliable platform for downloading Glossary Of Valve Terms free PDF files is Open Library. With its vast collection of over 1 million eBooks, Open Library has something for every reader. The website offers a seamless experience by providing options to borrow or download PDF files. Users simply need to create a free account to access this treasure trove of knowledge. Open Library also allows users to contribute by uploading and sharing their own PDF files, making it a collaborative platform for book enthusiasts. For those interested in academic resources, there are websites dedicated to providing free PDFs of research papers and scientific articles. One such website is Academia.edu, which allows researchers and scholars to share their work with a global audience. Users can download PDF files of research papers, theses, and dissertations covering a wide range of subjects. Academia.edu also provides a platform for discussions and networking within the academic community. When it comes to downloading Glossary Of Valve Terms free PDF files of magazines, brochures, and catalogs, Issuu is a popular choice. This digital publishing platform hosts a vast collection of publications from around the world. Users can search for specific titles or explore various categories and genres. Issuu offers a seamless reading experience with its user-friendly interface and allows users to download PDF files for offline reading. Apart from dedicated platforms, search engines also play a crucial role in finding free PDF files. Google, for instance, has an advanced search feature that allows users to filter results by file type. By specifying the file type as "PDF," users can find websites that offer free PDF downloads on a specific topic. While downloading Glossary Of Valve Terms free PDF files is convenient, its



important to note that copyright laws must be respected. Always ensure that the PDF files you download are legally available for free. Many authors and publishers voluntarily provide free PDF versions of their work, but its essential to be cautious and verify the authenticity of the source before downloading Glossary Of Valve Terms. In conclusion, the internet offers numerous platforms and websites that allow users to download free PDF files legally. Whether its classic literature, research papers, or magazines, there is something for everyone. The platforms mentioned in this article, such as Project Gutenberg, Open Library, Academia.edu, and Issuu, provide access to a vast collection of PDF files. However, users should always be cautious and verify the legality of the source before downloading Glossary Of Valve Terms any PDF files. With these platforms, the world of PDF downloads is just a click away.

### **FAQs About Glossary Of Valve Terms Books**

How do I know which eBook platform is the best for me? Finding the best eBook platform depends on your reading preferences and device compatibility. Research different platforms, read user reviews, and explore their features before making a choice. Are free eBooks of good quality? Yes, many reputable platforms offer high-quality free eBooks, including classics and public domain works. However, make sure to verify the source to ensure the eBook credibility. Can I read eBooks without an eReader? Absolutely! Most eBook platforms offer webbased readers or mobile apps that allow you to read eBooks on your computer, tablet, or smartphone. How do I avoid digital eye strain while reading eBooks? To prevent digital eye strain, take regular breaks, adjust the font size and background color, and ensure proper lighting while reading eBooks. What the advantage of interactive eBooks? Interactive eBooks incorporate multimedia elements, quizzes, and activities, enhancing the reader engagement and providing a more immersive learning experience. Glossary Of Valve Terms is one of the best book in our library for free trial. We provide copy of Glossary Of Valve Terms in digital format, so the resources that you find are reliable. There are also many Ebooks of related with Glossary Of Valve Terms. Where to download Glossary Of Valve Terms online for free? Are you looking for Glossary Of Valve Terms PDF? This is definitely going to save you time and cash in something you should think about. If you trying to find then search around for online. Without a doubt there are numerous these available and many of them have the freedom. However without doubt you receive whatever you purchase. An alternate way to get ideas is always to check another Glossary Of Valve Terms. This method for see exactly what may be included and adopt these ideas to your book. This site will almost certainly help you save time and effort, money and stress. If you are looking for free books then you really should consider finding to assist you try this. Several of Glossary Of Valve Terms are for sale to free while some are payable. If you arent sure if the books you would like to download works with for usage along with your computer, it is possible to download free trials. The free guides make it easy for someone to free

access online library for download books to your device. You can get free download on free trial for lots of books categories. Our library is the biggest of these that have literally hundreds of thousands of different products categories represented. You will also see that there are specific sites catered to different product types or categories, brands or niches related with Glossary Of Valve Terms. So depending on what exactly you are searching, you will be able to choose e books to suit your own need. Need to access completely for Campbell Biology Seventh Edition book? Access Ebook without any digging. And by having access to our ebook online or by storing it on your computer, you have convenient answers with Glossary Of Valve Terms To get started finding Glossary Of Valve Terms, you are right to find our website which has a comprehensive collection of books online. Our library is the biggest of these that have literally hundreds of thousands of different products represented. You will also see that there are specific sites catered to different categories or niches related with Glossary Of Valve Terms So depending on what exactly you are searching, you will be able to choose ebook to suit your own need. Thank you for reading Glossary Of Valve Terms. Maybe you have knowledge that, people have search numerous times for their favorite readings like this Glossary Of Valve Terms, but end up in harmful downloads. Rather than reading a good book with a cup of coffee in the afternoon, instead they juggled with some harmful bugs inside their laptop. Glossary Of Valve Terms is available in our book collection an online access to it is set as public so you can download it instantly. Our digital library spans in multiple locations, allowing you to get the most less latency time to download any of our books like this one. Merely said, Glossary Of Valve Terms is universally compatible with any devices to read.

### **Find Glossary Of Valve Terms :**

*grand illusion*

**grand illusion an essay on europe**

gra u bezkinechnist

graduation church bulletin

grand slam homer a bronc burnett story

**grammar and composition practice; fourth course; teachers edition**

grace notes vii

grammar of new testament greek vol. 3 syntax

government in amer.-brf.study >instrs<

**grammaire creole**

goya en el museo del prado

governing the city

~~graduated robot and other stories~~  
~~graduate programs in physical sciences 2003~~  
~~grand parents are the greatest because...~~

## Glossary Of Valve Terms :

*dietrichs flucht textgeschichtliche ausgabe worldcat org* - Apr 15 2023

web dietrichs flucht textgeschichtliche ausgabe author elisabeth lienert print book german 2003 edition 1 aufl view all formats and editions publisher niemeyer tu bingen 2003 show more information dietrichs flucht textgeschichtliche ausgabe worldcat org

*dietrichs flucht textgeschichtliche ausgabe ghent university* - Mar 14 2023

web nov 26 2022 dietrichs flucht textgeschichtliche ausgabe hrsg von elisabeth lienert und gertrud beck isbn 3484645016 author lienert elisabeth beck gertrud publisher tübingen niemeyer 2003 description xxx 352 p series texte und studien zur mittelhochdeutschen heldenepik 1

**dietrichs flucht textgeschichtliche ausgabe hg von elisabeth** - Jul 18 2023

web textgeschichtliche ausgabe hg von elisabeth lienert und gertrud beck 2003 veröffentlicht von de gruyter 21 dezember 2007 dietrichs flucht textgeschichtliche ausgabe hg von elisabeth lienert und gertrud beck 2003 hartmut bleumer aus der zeitschrift arbitrium doi org 10 1515 arbi 2004 287 zitieren

*download free dietrichs flucht textgeschichtliche ausgabe* - Apr 03 2022

web dietrichs flucht textgeschichtliche ausgabe the power of a woman s voice in medieval and early modern literatures apr 12 2023 the study takes the received view among scholars that women in the middle ages were faced with sustained misogyny and that their voices were seldom heard in public and subjects it to a critical analysis

dietrichs flucht textgeschichtliche ausgabe hg von elisabeth - Jun 05 2022

web jan 12 2005 download citation dietrichs flucht textgeschichtliche ausgabe hg von elisabeth lienert und gertrud beck 2003 die jüngeren wandlungen des textbegriffs betreffen notwendig auch die

**dietrichs flucht textgeschichtliche ausgabe hardcover** - Feb 13 2023

web nov 27 2003 dietrichs flucht textgeschichtliche ausgabe 382 by gertrud beck editor elisabeth lienert editor editorial reviews hardcover reprint 2013 154 00

**dietrichs flucht textgeschichtliche ausgabe alibris** - Aug 07 2022

web the text of dietrichs flucht 13th century is an epic description of dietrich s banishment his exile and the fruitless battles he fought in an attempt to return to his native territory it is given here in accordance with the leithandschrift leading or

central manuscript principle

*dietrichs flucht textgeschichtliche ausgabe hg v elisabeth* - Sep 20 2023

web dietrichs flucht textgeschichtliche ausgabe hg v elisabeth lienert u gertrud beck rabenschlacht textgeschichtliche ausgabe hg v elisabeth lienert u dorit wolter alpharts tod dietrich und wenezlan hg v elisabeth lienert und viola meyer stephan müller from the journal doi org 10 1515 bgs1 2011 044 cite this

dietrichs flucht textgeschichtliche ausgabe elisabeth lienert - May 04 2022

web dietrichs flucht textgeschichtliche ausgabe elisabeth lienert gertrud beck download on z library z library download books for free find books

*dietrichs flucht wikipedia* - May 16 2023

web dietrichs flucht dietrich s flight or das buch von bern the book of verona is an anonymous 13th century middle high german poem about the legendary hero dietrich von bern the legendary counterpart of the historical ostrogothic king theodoric the great in germanic heroic legend

dietrichs flucht de gruyter - Oct 09 2022

web mar 1 2013 die textgeschichtliche ausgabe von dietrichs flucht gibt die erzählung der vertreibung dietrichs von bern seines exils und seiner ersten vergeblichen rückkehrschlachten nach der riedegger handschrift als leithandschrift wieder die vorgeschichte von dietrichs idealen ahnen orientiert sich am text des ambraser

dietrichs flucht textgeschichtliche ausgabe google books - Oct 21 2023

web mar 1 2013 die textgeschichtliche ausgabe von dietrichs flucht gibt die erzählung der vertreibung dietrichs von bern seines exils und seiner ersten vergeblichen rückkehrschlachten nach der

**dietrichs flucht textgeschichtliche ausgabe free online library** - Jul 06 2022

web oct 1 2004 dietrichs flucht textgeschichtliche ausgabe by elisabeth lienert and gertrud beck texte and studien zur mittelhochdeutschen heldenepik 1 tübingen niemeyer 2003 xxx 352 pp 56 euro isbn 3 484 64501 6

**dietrichs flucht textgeschichtliche ausgabe request pdf** - Jan 12 2023

web request pdf on oct 1 2004 elisabeth lienert and others published dietrichs flucht textgeschichtliche ausgabe find read and cite all the research you need on researchgate

*handschriftencensus dietrichs flucht* - Sep 08 2022

web ausgabe hinweis elisabeth lienert und gertrud beck hg dietrichs flucht textgeschichtliche ausgabe texte und studien zur mittelhochdeutschen heldenepik 1 tübingen 2003 nach wien Österr nationalbibl cod ser nova 2663 bis 2331 und berlin staatsbibl mgf 1062 ab 2298

**dietrichs flucht textgeschichtliche ausgabe zvb** - Dec 11 2022

web die textgeschichtliche ausgabe von dietrichs flucht gibt die erzählung der vertreibung dietrichs von bern seines exils und seiner ersten vergeblichen rückkehrschlachten nach der riedegger handschrift als leithandschrift wieder die vorgeschichte von dietrichs idealen ahnen orientiert sich am text des ambraser

**dietrichs flucht wikipedia** - Jun 17 2023

web dietrichs flucht ist titel einer ende des 13 jahrhunderts entstandenen mittelhochdeutschen heldendichtung aus dem bereich der historischen dietrichepik sie ist in fünf handschriften aus dem späten 13 bis frühen 16 jahrhundert überliefert in vieren davon gemeinsam mit dem epos von der zeitlich darauf folgenden rabenschlacht

**dietrichs flucht mittelalter wiki fandom** - Mar 02 2022

web die sage um dietrichs flucht aus verona auch dietrichs ahnen und flucht genannt entstand um 1290 am ende des 13 jhs es wurde von heinrich der vogler verfaßt und ist teil der mittelhochdeutschen heldendichtung um die figur des dietrich von bern die erzählung wird dem ostgotischen sagenkreis angerechnet in der sage dietrichs

dietrichs flucht textgeschichtliche ausgabe de gruyter - Aug 19 2023

web die textgeschichtliche ausgabe von dietrichs flucht gibt die erzählung der vertreibung dietrichs von bern seines exils und seiner ersten vergeblichen rückkehrschlachten nach der riedegger handschrift als leithandschrift wieder die vorgeschichte von dietrichs idealen ahnen orientiert sich am text des ambraser

*dietrichs flucht textgeschichtliche ausgabe hg v deepdyve* - Nov 10 2022

web nov 1 2011 dietrichs flucht textgeschichtliche ausgabe hg v elisabeth lienert u gertrud beck rabenschlacht textgeschichtliche ausgabe hg v elisabeth lienert u dorit wolter alpharts tod dietrich und wenezlan hg v elisabeth lienert u viola meyer dietrichs flucht textgeschichtliche ausgabe hg v elisabeth lienert u gertrud

**thermochemistry answer key 1 wg murdoch school rocky** - Jul 04 2022

web thermochemistry answer key 1 thermochem answers 1 16 1 doc microsoft word document 53 kb 54272 bytes print this *thermochemistry worksheet chemistry libretexts* - Mar 12 2023

web mar 13 2023 q8 for the following reaction  $\text{MgCO}_3 \rightarrow \text{MgO} + \text{CO}_2$   $\Delta H = 117.3 \text{ kJ}$  is heat absorbed or released in the reaction what is  $\Delta H$  for the reverse reaction what is  $\Delta H$  when 5.35 mol of  $\text{CO}_2$  reacts with excess  $\text{MgO}$  what is  $\Delta H$  when 35.5 g of  $\text{CO}_2$  reacts with excess  $\text{MgO}$  this page

*5 thermochemistry chemistry libretexts* - Jan 10 2023

web this chapter introduces you to thermochemistry a branch of chemistry that describes the energy changes that occur during chemical reactions in some situations the energy produced by chemical reactions is actually of greater interest to chemists than the material products of the reaction

thermochemistry practice questions answer key rocky view - Sep 06 2022

web thermochemistry answer key 1 16 d c sun and minerals plants animals fossil kinetic energy calculations q mc t 1250 g 4 19 j g c 76 0 c 398 kj q mc t 1 00 mj m 0 900 j g c 80 c m 14 kj m q c t 1 00 mj 3 88 j g c 80 c m 3 22 10 3 mg 3 2 kg

**2 thermochemistry ii worksheet chemistry libretexts** - Aug 17 2023

web feb 13 2023 we will revisit this today and go on to see that if we use a special kind of thermochemical reaction called the standard enthalpy of formation we can calculate enthalpies of reactions without having to manipulate a series of individual thermochemical equations for each step

**chapter 17 thermochemistry answers pearson yumpu** - Apr 01 2022

web sep 29 2020 answers pearson read free chapter 17 thermochemistry answers pearsonquizlet in addition to observing living organisms darwin studied the preserved remains of ancient organisms called a fossils b adaptations c homologies

chapter 17 student self check answer key pearson section 17 1 a

**thermochemistry diploma answer key wg murdoch school** - Aug 05 2022

web thermochemistry diploma answer key thermochem practice diploma key pdf pdf document 858 kb 879288 bytes

*thermochemistry i worksheet key chemistry libretexts* - Jul 16 2023

web feb 13 2023 downloads expand more download page pdf download full book pdf resources expand more periodic table physics constants scientific calculator reference expand more reference cite

*answer key for a chemistry class about thermochemistry studocu* - Oct 07 2022

web thermochemistry refers to the study of the relationship between heat and chemical reactions some key topics covered in a chemistry class about thermochemistry might include heat and temperature the difference between heat and temperature units of measurement for heat and temperature joules calories kelvin and how heat

141 thermochemistry worksheet key studocu - Jun 03 2022

web consider the thermochemical equation below 4 no g 6 h 2 o l 4 nh 3 g 5 o2 g rh 1170 kj a is this reaction endothermic or exothermic endothermic rh gt 0 b how much heat will be absorbed or released if 10 g of no is reacted with 10 g h 2 o

**thermochemistry test review flashcards quizlet** - May 14 2023

web heats of fusion and vaporization determines what determines how much energy is required to change a substance s phase what is the heat of fusion formula h n hfus what is the heat of vaporization formula h n hvap what is on the x axis of the heating curve time

**52 questions with answers in thermochemistry science** - Feb 28 2022

web sep 5 2023 3 carry out a thermochemical calculation on all these species at their optimized geometries 4 sum up the enthalpies free energy of the products and the reagents keeping into account the

*thermochemistry answer key pdf scribd* - Sep 18 2023

web answer a 1 explanation the entire reaction was multiplied by 2 therefore  $\Delta h$  must also be halved 3 answer c explanation option c is incorrect because 566 kJ mol is the  $\Delta h$  per mole of  $O_2$  and not for 2 moles even though options b and d are expressed in grams they are still correct because 56

[thermochemistry worksheet 1 answer key](#) - Jan 30 2022

web thermochemistry practice worksheet answer key what is the heat change when 472 g of carbon reacts with excess  $O_2$  according to the following equation how much heat energy must be expelled by the body to rid the body of one pound of fat 2s 3o 2 2so 3 h 7914kJ is this endothermic or exothermic 2

*chapter 5 thermochemistry university of delaware* - May 02 2022

web thermochemistry the study of the transfer of heat thermal energy in chemical reactions exothermic transfer of heat from the system to the surroundings 2h 2 g o 2 g 2h 2 o l energy endothermic the transfer of heat from the surroundings to the system energy 2hgo s 2hg l o 2 g

5 s [thermochemistry summary chemistry libretexts](#) - Dec 09 2022

web thermochemical equations balanced chemical equations that show the associated enthalpy change enthalpy is an extensive property depends on amount of matter present this fact means that the magnitude of h is directly proportional to the amount of reactant consumed in the process

*study guide thermochemistry key mr fischer* - Nov 08 2022

web q 140 g 4 184 j 16oc g oc q 9372 16 j 35 5 g x 1 mole kcn 0 5453 moles 65 1 g 0 5453 mole moles 5 when a 15 g sample of  $SO_2$  dissolves in 80 g of water in a calorimeter the temperature drops from 42 °C to 15 °C calculate the  $\Delta h$  for the process *thermochemistry answers and explanations integrated mcat* - Feb 11 2023

web thermochemistry answers and explanations 1 a a thermodynamic system has two means of exchanging energy with its surroundings heat flow and pressure volume work heat flow q is the transfer of thermal energy due to temperature difference work w is macroscopic energy transfer between the system and its surroundings that occurs

**thermochemistry practice problems chemistry steps** - Jun 15 2023

web in this set of practice questions we will summarize the main concepts of thermochemistry such as the relationship between internal energy work and heat exothermic and endothermic process heat capacity constant pressure calorimetry constant volume calorimetry the enthalpy the standard enthalpies read more

5 e [chemical thermodynamics practice problems with answers](#) - Apr 13 2023

web jan 10 2021  $\Delta h$  27 4 kJ mol and  $\Delta s$  29 8 J K sulfur trioxide  $SO_3$  is produced in large quantities in the industrial synthesis of sulfuric acid sulfur dioxide is converted to sulfur trioxide by reaction with oxygen gas write a balanced chemical equation for the reaction of  $SO_2$  with  $O_2$  and determine its  $\Delta g$

*assessment scheme b i s e lahore pdf smis school co - Jul 03 2023*

web assessment scheme b i s e lahore 1 omb no assessment scheme b i s e lahore bis talks on changing face of conformity assessment how to apply for renewal of licence product bis conformity assessment scheme tutorial how to generate test request for getting bis licence through simplified procedure bis 2019 s08 trends in

**assessment scheme b i s e lahore secure4 khronos - Oct 26 2022**

web jun 26 2023 retrieve and configure the assessment scheme b i s e lahore it is completely straightforward then presently we extend the associate to buy and create bargains to fetch and set up assessment scheme b i s e lahore therefore simple

**bise lahore board biselahore com 2023 - Dec 28 2022**

web bise lahore board latest study updates for educational year 2023 view biselahore results date sheet roll no slips past papers admission details fees forms to download sample model papers and daily top news alerts for students of 9th 10th 11th 12th ssc hssc fa fsc matric inter intermediate ssc part 1 ssc part 2 inter

**assessment scheme b i s e lahore - Aug 24 2022**

web assessment scheme b i s e lahore established 78 campuses across the country with an approximate strength of 27 705 students and around 2 182 faculty and 1 030 non faculty staff building regulations lahore development authority may 10th 2018 last updated tuesday april 17 2007 building regulations under construction no lda tp

**assessment scheme b i s e lahore - Jun 21 2022**

web assessment scheme b i s e lahore that you are looking for it will totally squander the time however below similar to you visit this web page it will be as a result no question simple to acquire as with ease as download guide assessment scheme b i s e lahore it will not say you will many mature as we tell before

**bise lahore board biselahore com 2023 - Feb 15 2022**

web now bise lahore conducts the exams of ssc and hssc in the lahore schools and colleges located in lahore sheikhupura nankana sahib and kasur lahore board conducts the exams in science and arts subjects in 9th 10th 11th and 12th classes

*assessment scheme b i s e lahore secure4 khronos - May 01 2023*

web assessment scheme b i s e lahore but end up in toxic downloads its for that motivation definitely plain and as a product information isnt it you have to preference to in this site in the course of them is this assessment scheme b i s e lahore that can be your collaborator fast national university

*assessment scheme b i s e lahore secure4 khronos - Apr 19 2022*

web may 18 2023 assessment scheme b i s e lahore for public procurements by federal government owned public sector organizations with a view to improve governance management transparency accountability and quality of

b i s e lahore lahore facebook - Feb 27 2023



web b i s e lahore lahore pakistan 27 019 likes 6 talking about this board of intermediate and secondary education lahore is the secondary and intermediate education go

**bise lahore supplementary exam 2023 date sheet rules** - Jan 29 2023

web class 9th and class 10th generally the secondary school certificate supplementary examination 2023 may be commenced on 08th september 2023 the examination in theory papers culminated on 04th october 2023 while the practical examination was completed on 22nd october 2023 the result is being declared on 12th november 2023

*assessment scheme b i s e lahore book* - Mar 19 2022

web mar 1 2023 assessment scheme b i s e lahore assessment scheme for 10th class 2023 lahore board web assessment scheme for 10th class 2023 lahore board studysols team provided here the online assessment scheme for the 10th class 2023 lahore board pairing scheme assessment scheme for 10th class 2023 lahore board web lahore board class

**assessment scheme for 9th class 2016 bise lahore board** - Jun 02 2023

web assessment scheme for 9th class 2016 bise lahore board free download as pdf file pdf or read online for free assessment scheme for 9th class 2016 bise lahore board

assessment scheme b i s e lahore uniport edu - Sep 24 2022

web jul 9 2023 assessment scheme b i s e lahore 1 9 downloaded from uniport edu ng on july 9 2023 by guest assessment scheme b i s e lahore this is likewise one of the factors by obtaining the soft documents of this assessment scheme b i s e lahore by online you might not require more era to spend to go to the ebook commencement as

**bise lahore** - Oct 06 2023

web since its inception in 1954 the board of intermediate and secondary education lahore has remained committed to its mission of providing transparent assessment services since poorly examined knowledge falls short of the credibility benchmark

bise lahore - Mar 31 2023

web notification regarding unbundling of scheme of studies from the academic session 2022 23 lahore complaints apply complaint check complaints status rti disclosure particulars of the public body its functions and duties e mail info biselahore com

**bise lahore** - Sep 05 2023

web notifications date sheet for intermediate second annual examination 2023 revised registration schedule for intermediate class xi academic session 2023 25 for private candidates re admission schedule for intermediate class xi

*assessment scheme b i s e lahore 2022* - May 21 2022

web scheme to help energy intensive companies with the cost of carbon must be tightened up to avoid over compensating

large companies already profiting from the over allocation of eu emissions trading system allowances

**assessment scheme b i s e lahore protease odontocompany** - Jul 23 2022

web 4 assessment scheme b i s e lahore 2023 07 09 departments such as hmrc with an interest in smes one of the treasury s priorities is to support the development of new routes to finance for smes while bis schemes target specific parts of the market to date the departments have not articulated clearly enough what the various schemes are

**assessment scheme b i s e lahore** - Nov 26 2022

web assessment scheme b i s e lahore may 10th 2018 founded as a federally chartered university in july 2000 the national university of computer and emerging sciences is a premiere university of pakistan renowned for quality and impact of its students in the development of local software and other industries

10th class model papers and assessment scheme bise lahore - Aug 04 2023

web 10th class model papers and assessment scheme bise lahore free download as pdf file pdf or read online for free model papers and assessment scheme for 10th class board of intermediate and secondary education lahore from 2014 and onwards