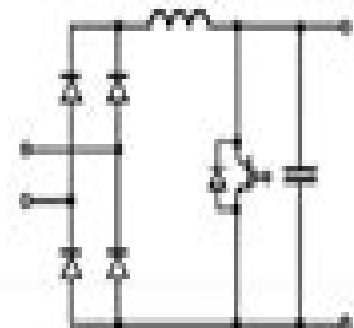
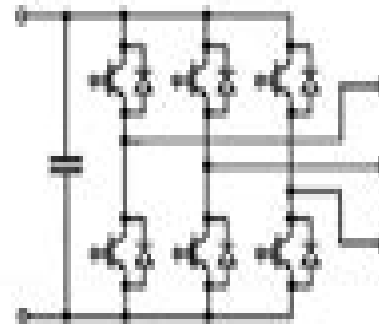
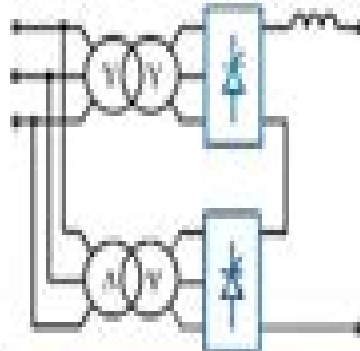
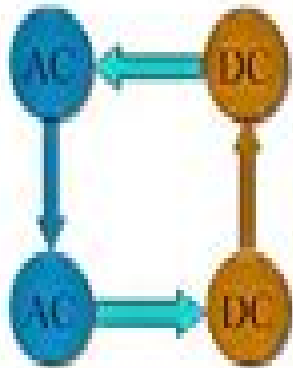


Power Electronics in Power Systems

- Technology and Early Applications



Generation

Transmission

Distribution

Consumption



Electronic Systems Theory And Applications

**Community College of the Air Force
(U.S.)**



Electronic Systems Theory And Applications:

Electronic Systems Henry Zanger,1977 **Electronics Theory and Applications** S. L. Kakani,2005 This Book Is Designed To Meet The Requirements Of Currently Revised Ugc Syllabi Of Electronics Followed Almost By All Indian And Other Universities For B Sc Pass And B Sc Honours Students The Book Would Also Serve As A Comprehensive Text For B E Amie And Diploma Students The Book Presents An Exhaustive Exposition Of The Field With Latest Developments A Systematic Approach Is Followed Throughout The Book And The Various Principles Theory And Applications Are Explained In A Simple Easy To Understand Manner In Twenty Chapters The Book Deals With Semi Conductors And Devices Rectifiers Voltage Regulations Switching Devices Bjt Jfet Mosfet Op Amps Triac Diac Ujt Digital Circuits Scr Solar Cells Photo Transistor Cro Television Ionosphere Reader Lasers Holography Optical Fibres Computers Quantum Dots Spinotrics Memos Etc The Book Includes Several Solved Examples Throughout The Text To Illustrate The Concepts And Applications And Help In An Easier Understanding Of The Subject Review Questions And Problems Have Been Included For Easy Understanding Of The Subject Objective Type Questions Short Question Answers True False And Fill In Blank Questions Throughout The Text Will Be Highly Useful To All And Those Preparing For Various Competitive Entrance Examinations *Proceedings of the*

IEEE Workshop on Nonlinear Dynamics of Electronic Systems Gianluca Setti,Riccardo Rovatti,Gianluca Mazzini,2000 This volume collects together state of the art contributions to the IEEE workshop on Nonlinear Dynamics of Electronic Systems

Nonlinear Dynamics Of Electronic Systems - Proceedings Of The Ieee Workshop Gianluca Mazzini,Riccardo Rovatti,Gianluca Setti,2000-05-08 This volume collects together state of the art contributions to the IEEE workshop on Nonlinear Dynamics of Electronic Systems *Nonlinear Dynamics Of Electronic Systems - Proceedings Of The Workshop Ndes '93* Anthony C Davies,Wolfgang Schwarz,1994-05-31 This volume contains the extended versions of the papers presented at an international specialist workshop in July 1993 together with some additional contributions all concerned with the analysis and applications of electronic circuits with chaotic behaviour providing a topical overview of work in this rapidly developing field *Electronic Systems Maintenance Handbook* Jerry C. Whitaker,2017-12-19 The days of troubleshooting a piece of gear armed only with a scope voltmeter and a general idea of how the hardware works are gone forever As

technology continues to drive equipment design forward maintenance difficulties will continue to increase and those responsible for maintaining this equipment will continue to struggle to keep up The *Electronic Systems Maintenance Handbook* Second Edition establishes a foundation for servicing operating and optimizing audio video computer and RF systems Beginning with an overview of reliability principles and properties a team of top experts describes the steps essential to ensuring high reliability and minimum downtime They examine heat management issues grounding systems and all aspects of system test and measurement They even explore disaster planning and provide guidelines for keeping a facility running under extreme circumstances Today more than ever the reliability of a system can have a direct and immediate

impact on the profitability of an operation Advocating a carefully planned systematic maintenance program the richly illustrated Electronic Systems Maintenance Handbook helps engineers and technicians meet the challenges inherent in modern electronic equipment and ensure top quality performance from each piece of hardware **Reliability**

Characterisation of Electrical and Electronic Systems, 2014-12-24 This book takes a holistic approach to reliability engineering for electrical and electronic systems by looking at the failure mechanisms testing methods failure analysis characterisation techniques and prediction models that can be used to increase reliability for a range of devices The text describes the reliability behavior of electrical and electronic systems It takes an empirical scientific approach to reliability engineering to facilitate a greater understanding of operating conditions failure mechanisms and the need for testing for a more realistic characterisation After introducing the fundamentals and background to reliability theory the text moves on to describe the methods of reliability analysis and characterisation across a wide range of applications Takes a holistic approach to reliability engineering Looks at the failure mechanisms testing methods failure analysis characterisation techniques and prediction models that can be used to increase reliability Facilitates a greater understanding of operating conditions failure mechanisms and the need for testing for a more realistic characterisation **Annual Catalogue** United States Air Force

Academy, 1983 **Scientific and Technical Aerospace Reports**, 1979 Lists citations with abstracts for aerospace related reports obtained from world wide sources and announces documents that have recently been entered into the NASA Scientific and Technical Information Database **United States Air Force Academy** United States Air Force Academy, 1983 **Community College of the Air Force General Catalog** Community College of the Air Force (U.S.),

Digital Control of Electric Drives R. Koziol, J. Sawicki, L. Szklarski, 2013-10-22 The electromechanical systems employed in different branches of industry are utilized most often as drives of working machines which must be fed with electric energy in a continuous periodic or even discrete way Some of these machines operate at constant speed others require wide and varying energy control In many designs the synchronous cooperation of several electric drives is required in addition to the desired dynamic properties For these reasons the control of the cooperation and dynamics of electromechanical systems requires the use of computers This book adopts an unusual approach to the subject in that it treats the electric drive system on the one hand as an element of a control system and on the other as an element of a complex automatic system These two trends in the development of the automatic control of electric drives have resulted in a volume that provides a thorough overview on the variety of different approaches to the design of control systems The 1980 Guide to the Evaluation of Educational Experiences in the Armed Services: Army American Council on Education, 1980

Magnetic Core Selection for Transformers and Inductors Colonel Wm. T. McLyman, 1997-05-05 Written as a companion to Transformer and Inductor Design Handbook second ed this work compiles the specifications of over 12 000 industrially available cores and brings them in line with standard units of measurement simplifying the selection of core

configurations for the design of magnetic components

The 1984 Guide to the Evaluation of Educational Experiences in the Armed Services American Council on Education, 1984

Reliability Control for Electronic Systems Lacombe, 1999-05-14 Demonstrates how electronic products manufacturers can improve the effectiveness and longevity of their finished products building in reliability at the design state and more efficiently monitoring and controlling it throughout practice The text addresses management personnel in small and medium sized electronics manufacturing concerns

Pilot Protective Relaying Elmore, 2018-04-27 This text concentrates on the fundamentals of protective relaying and aims to provide lasting information in intelligible language It covers the relative qualities of modern transmission line systems communications channels three terminal applications and program design for microprocessors and also supplies an encyclopaedic bibliography listing professional papers useful to the relay engineer

Artificial Intelligence for DevOps and Site Reliability Engineering: Theories, Applications, and Future Directions Swarup Panda, 2025-08-07 This book offers an in depth examination of the transformative impact Artificial Intelligence AI and Machine Learning ML have on DevOps and Site Reliability Engineering SRE It sits at the intersection of the cutting edge in AI and at how actual operations can use smart technology to refine your CI CD pipeline tell when incidents are rolling your way help to automate resolution and improve the eyes on monitoring Readers will learn complete details on AI driven observability finding anomalies performance tuning and capacity planning helping organizations to predict failures improve up times and accelerate software with a rock rock solid foundation With clear and detailed explanations bolstered by case studies with leaders from the industry and actionable frameworks to implementation DevOps engineers SRE professionals and IT executives will learn how to effectively operationalize AI within their environments It also includes critical content on AI ethics transparency and governance a must for today s high stakes production environments Readers will walk away fully prepared to use AI to automate the repetitive and time consuming tasks based on data and to make data informed decisions that strengthen their infrastructure and deliver operational excellence

Electrical Contacts Paul G. Slade, 1999-03-31 Covering the choice attachment and testing of contact materials *Electrical Contacts* introduces a thorough discussion on making electric contact and contact interface conduction presents a general outline of and measurement techniques for important corrosion mechanisms discusses the results of contact wear when plug in connections are made and broken investigates the effect of thin noble metal plating on electronic connections relates crucial considerations for making high and low power contact joints details arcing effects on contacts including contact erosion welding and contamination and contains nearly 2800 references tables equations drawings and photographs

High-Voltage Engineering Mazen Abdel-Salam, 2018-10-03 Bridges the gap between laboratory research and practical applications in industry and power utilities clearly organized into three distinct sections that cover basic theories and concepts execution of principles and innovative new techniques Includes new chapters detailing industrial uses and issues of hazard and safety and review

excercises to accompany each chpter

When people should go to the book stores, search introduction by shop, shelf by shelf, it is in fact problematic. This is why we allow the books compilations in this website. It will entirely ease you to see guide **Electronic Systems Theory And Applications** as you such as.

By searching the title, publisher, or authors of guide you truly want, you can discover them rapidly. In the house, workplace, or perhaps in your method can be all best area within net connections. If you aspire to download and install the Electronic Systems Theory And Applications, it is enormously simple then, previously currently we extend the associate to purchase and create bargains to download and install Electronic Systems Theory And Applications appropriately simple!

http://www.pet-memorial-markers.com/About/detail/index.jsp/fibre_channel_bench_reference_technical_guide_to_serial_scsi3_endl_scsi_series.pdf

Table of Contents Electronic Systems Theory And Applications

1. Understanding the eBook Electronic Systems Theory And Applications
 - The Rise of Digital Reading Electronic Systems Theory And Applications
 - Advantages of eBooks Over Traditional Books
2. Identifying Electronic Systems Theory And Applications
 - Exploring Different Genres
 - Considering Fiction vs. Non-Fiction
 - Determining Your Reading Goals
3. Choosing the Right eBook Platform
 - Popular eBook Platforms
 - Features to Look for in an Electronic Systems Theory And Applications
 - User-Friendly Interface
4. Exploring eBook Recommendations from Electronic Systems Theory And Applications
 - Personalized Recommendations
 - Electronic Systems Theory And Applications User Reviews and Ratings

- Electronic Systems Theory And Applications and Bestseller Lists
- 5. Accessing Electronic Systems Theory And Applications Free and Paid eBooks
 - Electronic Systems Theory And Applications Public Domain eBooks
 - Electronic Systems Theory And Applications eBook Subscription Services
 - Electronic Systems Theory And Applications Budget-Friendly Options
- 6. Navigating Electronic Systems Theory And Applications eBook Formats
 - ePub, PDF, MOBI, and More
 - Electronic Systems Theory And Applications Compatibility with Devices
 - Electronic Systems Theory And Applications Enhanced eBook Features
- 7. Enhancing Your Reading Experience
 - Adjustable Fonts and Text Sizes of Electronic Systems Theory And Applications
 - Highlighting and Note-Taking Electronic Systems Theory And Applications
 - Interactive Elements Electronic Systems Theory And Applications
- 8. Staying Engaged with Electronic Systems Theory And Applications
 - Joining Online Reading Communities
 - Participating in Virtual Book Clubs
 - Following Authors and Publishers Electronic Systems Theory And Applications
- 9. Balancing eBooks and Physical Books Electronic Systems Theory And Applications
 - Benefits of a Digital Library
 - Creating a Diverse Reading Collection Electronic Systems Theory And Applications
- 10. Overcoming Reading Challenges
 - Dealing with Digital Eye Strain
 - Minimizing Distractions
 - Managing Screen Time
- 11. Cultivating a Reading Routine Electronic Systems Theory And Applications
 - Setting Reading Goals Electronic Systems Theory And Applications
 - Carving Out Dedicated Reading Time
- 12. Sourcing Reliable Information of Electronic Systems Theory And Applications
 - Fact-Checking eBook Content of Electronic Systems Theory And Applications
 - Distinguishing Credible Sources

13. Promoting Lifelong Learning
 - Utilizing eBooks for Skill Development
 - Exploring Educational eBooks
14. Embracing eBook Trends
 - Integration of Multimedia Elements
 - Interactive and Gamified eBooks

Electronic Systems Theory And Applications Introduction

In this digital age, the convenience of accessing information at our fingertips has become a necessity. Whether its research papers, eBooks, or user manuals, PDF files have become the preferred format for sharing and reading documents. However, the cost associated with purchasing PDF files can sometimes be a barrier for many individuals and organizations. Thankfully, there are numerous websites and platforms that allow users to download free PDF files legally. In this article, we will explore some of the best platforms to download free PDFs. One of the most popular platforms to download free PDF files is Project Gutenberg. This online library offers over 60,000 free eBooks that are in the public domain. From classic literature to historical documents, Project Gutenberg provides a wide range of PDF files that can be downloaded and enjoyed on various devices. The website is user-friendly and allows users to search for specific titles or browse through different categories. Another reliable platform for downloading Electronic Systems Theory And Applications free PDF files is Open Library. With its vast collection of over 1 million eBooks, Open Library has something for every reader. The website offers a seamless experience by providing options to borrow or download PDF files. Users simply need to create a free account to access this treasure trove of knowledge. Open Library also allows users to contribute by uploading and sharing their own PDF files, making it a collaborative platform for book enthusiasts. For those interested in academic resources, there are websites dedicated to providing free PDFs of research papers and scientific articles. One such website is Academia.edu, which allows researchers and scholars to share their work with a global audience. Users can download PDF files of research papers, theses, and dissertations covering a wide range of subjects. Academia.edu also provides a platform for discussions and networking within the academic community. When it comes to downloading Electronic Systems Theory And Applications free PDF files of magazines, brochures, and catalogs, Issuu is a popular choice. This digital publishing platform hosts a vast collection of publications from around the world. Users can search for specific titles or explore various categories and genres. Issuu offers a seamless reading experience with its user-friendly interface and allows users to download PDF files for offline reading. Apart from dedicated platforms, search engines also play a crucial role in finding free PDF files. Google, for instance, has an advanced search feature that allows users to filter results by file type. By specifying the file type as "PDF,"

users can find websites that offer free PDF downloads on a specific topic. While downloading Electronic Systems Theory And Applications free PDF files is convenient, its important to note that copyright laws must be respected. Always ensure that the PDF files you download are legally available for free. Many authors and publishers voluntarily provide free PDF versions of their work, but its essential to be cautious and verify the authenticity of the source before downloading Electronic Systems Theory And Applications. In conclusion, the internet offers numerous platforms and websites that allow users to download free PDF files legally. Whether its classic literature, research papers, or magazines, there is something for everyone. The platforms mentioned in this article, such as Project Gutenberg, Open Library, Academia.edu, and Issuu, provide access to a vast collection of PDF files. However, users should always be cautious and verify the legality of the source before downloading Electronic Systems Theory And Applications any PDF files. With these platforms, the world of PDF downloads is just a click away.

FAQs About Electronic Systems Theory And Applications Books

How do I know which eBook platform is the best for me? Finding the best eBook platform depends on your reading preferences and device compatibility. Research different platforms, read user reviews, and explore their features before making a choice. Are free eBooks of good quality? Yes, many reputable platforms offer high-quality free eBooks, including classics and public domain works. However, make sure to verify the source to ensure the eBook credibility. Can I read eBooks without an eReader? Absolutely! Most eBook platforms offer web-based readers or mobile apps that allow you to read eBooks on your computer, tablet, or smartphone. How do I avoid digital eye strain while reading eBooks? To prevent digital eye strain, take regular breaks, adjust the font size and background color, and ensure proper lighting while reading eBooks. What the advantage of interactive eBooks? Interactive eBooks incorporate multimedia elements, quizzes, and activities, enhancing the reader engagement and providing a more immersive learning experience. Electronic Systems Theory And Applications is one of the best book in our library for free trial. We provide copy of Electronic Systems Theory And Applications in digital format, so the resources that you find are reliable. There are also many Ebooks of related with Electronic Systems Theory And Applications. Where to download Electronic Systems Theory And Applications online for free? Are you looking for Electronic Systems Theory And Applications PDF? This is definitely going to save you time and cash in something you should think about.

Find Electronic Systems Theory And Applications :

[fibre channel bench reference technical guide to serial scsi3 endl scsi series](#)

fiction lives green level

fields of armor

[field techniques illustrated](#)

[fever squalor and vice](#)

[field guide to the mammals of the kruger national p](#)

fifty golden years

~~fifties from notebooks and diaries of the period~~

fiddlehead gold 50 years of the fiddlehead magazine

~~fiebre de boda~~

[fiberptic sensor technology handbook](#)

[feynmans rainbow a search for beauty in physics and in life](#)

fiftieth anniversary celebration of the mercantile library association of the city of new york

~~field guide to the birds nests united states east of the mississippi river~~

[field guide to the gray whale](#)

Electronic Systems Theory And Applications :

simpsons comics kolossales kompendium bd 4 pdf - Jul 14 2023

web simpsons comics kolossales kompendium bd 4 3 3 this witty and sweet illustrated christmas tale humor writer daniel kibblesmith introduces us to mr and mr claus and gives us a glimpse of their lives together we see the clauses sitting by the fire at their cozy north pole home vacationing at the beach having an occasional

[read pdf simpsons comics kolossales kompendium bd 4](#) - Oct 05 2022

web simpsons comics kolossales kompendium bd 4 pdf kindle pdf free download editorial reviews about the author with over 100 million copies of his books sold nicholas simpsons comics

simpsons comics kolossales kompendium bd 4 ftp popcake - Sep 04 2022

web simpsons comics colossal compendium volume 1 simpsons comics extravaganza simpsons comics dollars to donuts

simpsons comics confidential simpsons comics colossal compendium volume 2 simpsons comics colossal compendium volume 7 colossal compendium simpsons comics colossal compendium volume 5

simpsons comics kolossales kompendium bd - Jan 28 2022

web nov 28 2022 favorite books with this simpsons comics kolossales kompendium bd 4 but end in the works in harmful downloads rather than enjoying a fine pdf taking into account a mug of coffee in the afternoon on the other hand they juggled next some harmful virus inside their computer simpsons comics kolossales kompendium bd 4 is

details zu simpsons comics 4 kolossales kompendium - Mar 10 2023

web materialtyp text sprache deutsch reihen simpsons comics sonderband verlag stuttgart panini 2017 inhaltstyp text unbewegtes bild medientyp ohne hilfsmittel zu benutzen datenträgertyp band isbn 9783741600531 themenkreis comic comic grÜn zusammenfassung witzige geschichten und parodien gebracht von der familie

simpsons comics kolossales kompendium bd 1 taschenbuch amazon de - Nov 06 2022

web dieses brandneue kolossale simpsons kompendium vereint die besten geschichten aus springfield in einem sensationell spaßigen sammelband verbring einen verrückten tag mit den simpsons auf dem springfielder jahrmarkt steh homer und lisa in ihrem kampf gegen die hitze bei reise in eine parallelwelt in der bartman stretch dude und törtchen

simpsons comics kolossales kompendium bd uniport edu ng - Mar 30 2022

web sep 8 2023 simpsons comics kolossales kompendium bd 4 1 1 downloaded from uniport edu ng on september 8 2023 by guest simpsons comics kolossales kompendium bd 4 right here we have countless ebook simpsons comics kolossales kompendium bd 4 and collections to check out we additionally meet the expense of

bestseller in simpsons comics amazon de - Dec 07 2022

web bestseller in simpsons comics 1 witzbuch kinder ab 8 die xxl witzesammlung mit 777 witzen zungenbrechern scherzfragen und mehr kinderbuch für jungs und

simpsons comics kolossales kompendium bd 4 by matt - Apr 11 2023

web simpsons comics kolossales kompendium bd 4 by matt groening nathan kane matthias wieland simpsons ics kolossales kompendium von matt groening simpsons ics kolossales kompendium bd 4 matt simpsons ics kolossales kompendium bd 1 de simpsons ics kolossales kompendium bd ab 7 60 neuheiten neues aus dem

simpsons comics kolossales kompendium bd 4 2022 - Jun 13 2023

web simpsons comics colossal compendium volume 5 mind myths bart simpson why brilliant people believe nonsense simpsons comics colossal compendium constitutional choices the information so you want to move to canada eh simpsons comics kolossales kompendium bd 4 downloaded from ftp popcake com by guest elle

simpsons comics kolossales kompendium bd 1 by matt - Jun 01 2022

web simpsons comics kolossales kompendium bd 1 by matt groening bill morrison die simpsons lüthy balmer stocker may 31st 2020 bd 1 die ultimative nummer eins ab 6 j von der brandneuen simpsons ic

simpsons comics kolossales kompendium bd 4 full pdf - Jul 02 2022

web the simpsons futurama infinitely secret crossover crisis mind myths magick without tears simpsons comics kolossales kompendium bd 4 downloaded from app oaklandlibrary org by guest cameron melton so you want to move to canada eh cambridge university press internet research spans many disciplines from the [simpsons comics simpsons wiki fandom](#) - Apr 30 2022

web simpsons comics was a monthly united states comic book series based on the simpsons published by matt groening s bongo comics group the first book was published on november 19 1993 since then hundreds of books have been released since october 2004 the comic has also had a monthly uk edition also distributed in ireland [simpsons comics kolossales kompendium bd 4 taschenbuch amazon de](#) - Aug 15 2023

web simpsons comics kolossales kompendium bd 4 groening matt kane nathan wieland matthias isbn 9783741600531 kostenloser versand für alle bücher mit versand und verkauf duch amazon simpsons comics kolossales kompendium bd 4 groening matt kane nathan wieland matthias amazon de bücher

simpsons comics kolossales kompendium bd 4 - Feb 26 2022

web homer simpson s little book of laziness the making of london drawing on the victorians civilization the information simpsons comics colossal compendium volume 4 comparing the literatures simpsons comics kolossales kompendium bd 4 downloaded from registempdevupload supersalon com by guest saul bria the book [list of the simpsons comics wikipedia](#) - Dec 27 2021

web bart simpson s pal milhouse comics 1 duffman adventures 1 li l homer 1 maggie 1 the malevolent mr burns 1 ralph wiggum comics 1 simpsons comics 194 198 the simpsons summer shindig 5 7 8 simpsons winter wingding 8 the wonderful world of lisa simpson 1

simpsons comics kolossales kompendium bd 4 download - Aug 03 2022

web 2 simpsons comics kolossales kompendium bd 4 2020 09 07 simpsons comics kolossales kompendium bd 4 downloaded from neurocme med ucla edu by guest tristin lauren the ambiguity of taste insight comics when bart attempts his most elaborate practical joke ever he becomes an internet sensation with a little help from his [simpsons comics kolossales kompendium bd 4 by matt](#) - Feb 09 2023

web ics bd 25 matt groening megaknihy cz simpsons ics kolossales kompendium bd 4 matt neuheiten neues aus dem ic laden simpsons ics kolossales kompendium bd ab 7 60 simpsons ics kolossales kompendium buch lisa groening zwab simpsons ics kolossales kompendium matt groening icladen sachsenhausen de [simpsons comics kolossales kompendium 2014 2018 band 4](#) - May 12 2023

web dieses 182 seiten starke sammelsurium enthält erlesene geschichten aus verschiedenen simpsons comicserien unter

anderem kämpfen bart und lisa um den titel des schmalz schmu donut kinds des jahres homer geht mit der bärenpatrouille auf die jagd und duffman verbreitet seine werbebotschaften im all

simpsons comics kolossales kompendium bd 2 taschenbuch amazon de - Jan 08 2023

web simpsons comics kolossales kompendium bd 2 groening matt morrison bill isbn 9783957982025 kostenloser versand für alle bücher mit versand und verkauf duch amazon

[pitch hit and run midland michigan softball association](#) - Jan 30 2022

web pitch hit and run is rescheduled for saturday conta cc 1nibs6d

results from pitch hit run competitions mlb com - Jun 15 2023

web mlb pitch hit run results

pitch hit run competition scheduled for may 6 newsbreak - Apr 01 2022

web april 21 2023 city of midland parks and recreation in partnership with the great lakes loons will host the 2023 pitch hit run competition pitch hit run competition scheduled for may 6 open in app

[2021 pitch hit run contest set for may 15 midland daily](#) - Jan 10 2023

web apr 23 2021 currently reading 2021 pitch hit run contest set for may 15

finals of pitch hit run set as part of ws mlb com - Jun 03 2022

web oct 26 2022 pitch hit and run finals set for minute maid park as part of 2022 world series finals of pitch hit run set as part of ws thousands of children ages 7 to 14 participated in local and regional competitions for chance to attend the fall classic finals will stream live on mlb com on sunday oct 30 at 9 30 a m et october 26th 2022

hit pitch and run results midland daily news - Nov 08 2022

web may 25 2018 results for midland area participants at hit pitch and run sectional competition in frankenmuth on may 19 watch more 9 10 year old girls peyton shepardson total 551 1st place 11 12

parks and recreation announces midland pitch hit run - Mar 12 2023

web may 15 2023 1 of 3 children compete at the pitch hit run competition hosted by midland parks and recreation and the great lakes loons on may 6 at dow diamond photo provided by the city of midland

home of major league baseball s pitch hit run program - Sep 06 2022

web step up to the majors with pitch hit run major league baseball pitch hit run is a free event that provides boys and girls ages 7 to 14 an opportunity to showcase their baseball and softball skills while earning a chance

pitch hit run midland mi official website - May 02 2022

web information on the annual children s baseball softball event

midland pitch hit run winners compete in detroit for state finals - Aug 17 2023

web aug 28 2023 the city of midland s annual mlb pitch hit and run baseball softball skills competition is hosted by midland parks and recreation and the great lakes loons each participant competed in

news flash midland mi civicengage - Feb 11 2023

web may 17 2019 august 25 2023 midland parks and recreation is pleased to announce that local pitch hit and run champions maggie frazee lane phillips strait peyton larkin brielle laubscher aiden oppenheimer and hadley keyes have advanced to the mlb pitch hit and run detroit tigers team championship which will be played on saturday

pitch hit and run competition midland daily news - Oct 07 2022

web may 9 2010 age 11 12 girls all around champion natalie gransden boys all around champion evan haase girls pitch champion natalie gransden boys pitch champion evan haase boys hit champion evan

schedule pitch hit run 2023 - Jul 04 2022

web leagueapps com pitch hit run 2023 signup for pitch hit run 2023 newsletter

six local pitch hit run winners from midland to compete in - May 14 2023

web aug 26 2023 midland parks and recreation has revealed that six local winners of the pitch hit and run event will participate in the mlb pitch hit and run detroit tigers team championship the participants maggie frazee lane phillips strait peyton larkin brielle laubscher aiden oppenheimer and hadley keyes will compete at comerica park in

city of midland parks recreation department pitch hit - Aug 05 2022

web oct 12 2022 mpost midland mi org program information major league baseball pitch hit run phr events provide boys and girls an opportunity to showcase their baseball and softball skills with the opportunity of earning a chance to attend and compete for a championship during the 2023 mlb world series

city of midland mi via public local pitch hit run winner - Apr 13 2023

web oct 7 2022 local pitch hit run winner advance to national finals october 7 2022 midland parks and recreation is pleased to announce that local pitch hit and run champions levi lamb and maggie frazee have advanced to the mlb pitch hit and run national finals which will be played during the world series later this month

pitch hit run midland mi official website - Jul 16 2023

web pitch hit run is a free nationwide baseball softball event for kids age 7 14 each child participates in 3 activities pitch throw 6 pitches to a strike zone midland mi 48640 map hours monday friday 8 a m 5 p m apply to host a special event register for activities cardboard sled races chemical city band discounted detroit

winners announced for 2022 pitch hit run contest - Sep 18 2023

web may 13 2022 on saturday may 7 midland parks and recreation and the great lakes loons hosted the city of midland s annual pitch hit and run baseball softball skills competition each participant competed in three events pitching hitting and

running certificates are awarded to the overall winner in each age group by gender

local pitch hit run winners announced newsbreak - Dec 09 2022

web may 12 2023 on saturday may 6 the midland parks and recreation department in partnership with the great lakes loons hosted the local pitch hit run winners announced open in app

pitch hit run michigan recreation and park association - Feb 28 2022

web feb 9 2023 pitch hit and run is the official skills competition of major league baseball this skills competition is an easy way to promote physical activity fun and appreciation of the game in your community

f214 january 2013 youtube - Feb 12 2022

web may 11 2014 this is my video on the january 2013 f214 biology paper please like subscribe or leave comments and feedback and if you want to ask me anything or give me

downloadable free pdfs june 2013 ocr biology paper f214 - May 30 2023

web june 2013 ocr biology paper f214 a level advancing biology for ocr year 1 and as student book ocr b mar 27 2023 please note this title is suitable for any student

ocr f214 june 2013 unofficial mark scheme - Jul 20 2022

web 4730486 ocr f214 june 2013 unofficial mark scheme 1 20 downloaded from robbinsmanuscripts berkeley edu on by guest ocr f214 june 2013 unofficial mark

ocr biology f214 communication homeostasis and energy - Apr 16 2022

web jun 22 2012 hi f214 people at school we got given a revision disc with loads of past questions ocr a level chemistry b paper 3 h433 03 23rd june 2023 exam

f3514 flight status flydeal dubai to riyadh fad514 airportia - Nov 11 2021

web oct 19 2023 f3514 and dubai dxb to riyadh ruh flights other flights departing from dubai dxb cx738 fz1461 sg12 wy612 other flights arriving at riyadh ruh sv312

ocr biology f214 09 past apaper orientation sutd edu sg - Sep 21 2022

web biology ocr june 2013 past papers f214 techyouneed com ocr unit 4 f214 biology revision physics amp maths tutor ocr f214 june 2013 paper pdf download vome

june 2013 f214 pdf helpdesk bricksave - Apr 28 2023

web june 2013 f214 downloaded from helpdesk bricksave com by guest brooklynn rivas department of defense authorization for appropriations for fiscal year 2013 and the

mark scheme unit 4 june 2013 f214 01 studydex - Mar 28 2023

web jun 4 2013 paper code f214 01 view the mark scheme of unit 4 june 2013 of the a level biology ocr h421 syllabus mark

scheme unit 4 june 2013 f214 01 a level

biology f214 june 13 paper pdf wiki lwn - May 18 2022

web within the pages of biology f214 june 13 paper an enthralling opus penned by a highly acclaimed wordsmith readers set about an immersive expedition to unravel the intricate

biology f214 june 2013 question paper pdf api mobomo - Jun 18 2022

web y june 2013 paper f214 markscheme download free biology june 2013 paper f214 markscheme biology june 2013 paper f214 markscheme preparing the biology june

monday 17 june 2013 afternoon ocr - Sep 02 2023

web monday 17 june 2013 afternoon monday 17 june 2013 afternoon a2 gce biology f214 01 communication homeostasis and energy duration 1 hour 15 minutes f 2 1 4 0

advanced gce unit f214 communication homeostasis - Oct 03 2023

web f214 mark scheme june 2013 4 question answer marks guidance 2 a i thermoregulatory centre in hypothalamus 1 mark the first answer if the answer is

tk1314 flight status trip com - Dec 13 2021

web sultanahmet palace hotel 0 12 km from downtown istanbul 4 4 5 excellent 121 reviews with a stay at sultanahmet palace hotel special class in istanbul istanbul city

f214 past papers ocr a2 biology past papers revision notes - Jun 30 2023

web may 4 2013 june 2013 may 2013 april 2013 categories f214 past papers f214 revision notes f215 past papers f215 revision notes past papers revision notes

communication homeostasis energy ocr - Dec 25 2022

web biology advanced gce f214 communication homeostasis energy mark scheme for june 2010 oxford cambridge and rsa examinations ocr oxford cambridge and

biology f214 june 2013 unofficial mar orientation sutd edu sg - Oct 23 2022

web biology f214 june 2013 past paper free ebooks in pdf format the agrarian origins of biology f214 june 2013 unofficial mark scheme jeschu de may 27th 2018 read

biology past papers as a level the tutor academy - Aug 01 2023

web 2013 june mark scheme unit f214 communication homeostasis and energy june pdf 96kb 2014 june question paper unit f214 01 communication homeostasis

biology ocr june 2013 past papers f214 download or read online - Feb 24 2023

web nov 29 2020 biology ocr june 2013 past papers f214 monday 17 june afternoon a2 gce biology f 01 communication

homeostasis and energy instructions to

be 313 faa 314 a icsi - Jan 14 2022

web 1 during the year 2013 the real gross domestic product of a country increased by 8 over the preceding year during this year population of the country also got increased by

biology f214 june 2013 unofficial mark scheme - Mar 16 2022

web chapter 15 4 biology f214 june 2013 unofficialbiology f214 june 2013 unofficial mark scheme biology f214 june 2013 unofficial mark scheme is available in our book

advanced gce unit f214 communication homeostasis - Jan 26 2023

web f214 mark scheme june 2012 question er marks guidance answ 3 c iii ethano l and carbon dioxide 1 mark the first 2 answers if the answer is correct and an

mark scheme f214 communication homeostasis energy june - Aug 21 2022

web biology unit f214 communication homeostasis energy advanced gce mark scheme for june 2015 oxford cambridge and rsa examinations ocr oxford cambridge and

advanced gce unit f214 communication homeostasis - Nov 23 2022

web f214 mark scheme june 2011 question expected answer mark additional guidance 4 a i islet s of langerhans 1 mark the first answer if the answer is correct and an