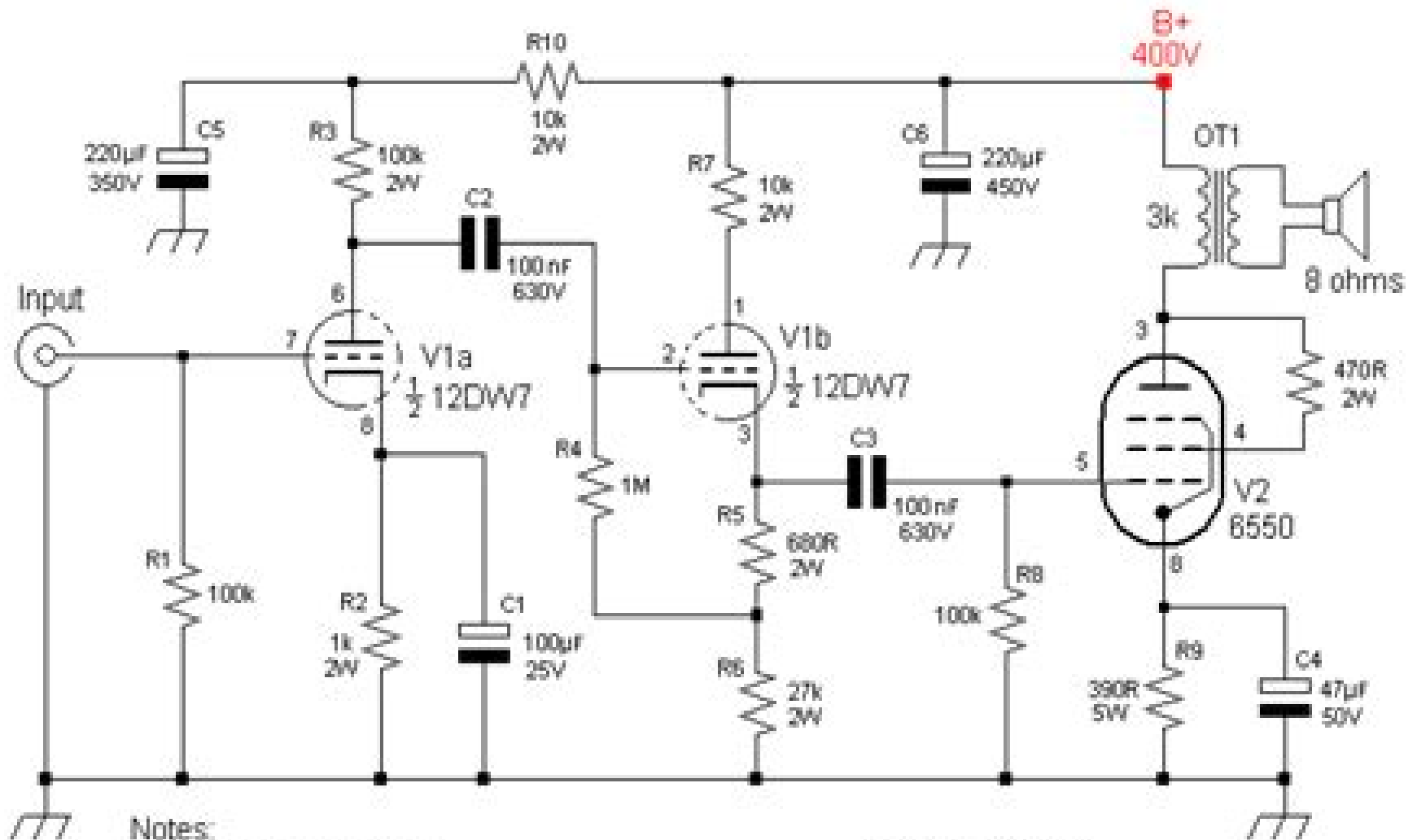


Single-Ended 6550 Tube Amplifier Schematic

<http://diyAudioProjects.com/Schematics/SE-6550-Tube-Amp-Schematic/>



Notes:

- One channel shown.
- All resistors 0.5W unless noted otherwise.
- See page text for circuit details.

- All rights reserved.
- Free for personal use only.

Electronic Valves In A F Amplifiers

N Noddings



Electronic Valves In A F Amplifiers:

Unveiling the Magic of Words: A Report on "**Electronic Valves In A F Amplifiers**"

In a world defined by information and interconnectivity, the enchanting power of words has acquired unparalleled significance. Their power to kindle emotions, provoke contemplation, and ignite transformative change is actually awe-inspiring. Enter the realm of "**Electronic Valves In A F Amplifiers**," a mesmerizing literary masterpiece penned by a distinguished author, guiding readers on a profound journey to unravel the secrets and potential hidden within every word. In this critique, we shall delve to the book is central themes, examine its distinctive writing style, and assess its profound affect the souls of its readers.

http://www.pet-memorial-markers.com/About/virtual-library/fetch.php/Gardening_With_Colour.pdf

Table of Contents Electronic Valves In A F Amplifiers

1. Understanding the eBook Electronic Valves In A F Amplifiers
 - The Rise of Digital Reading Electronic Valves In A F Amplifiers
 - Advantages of eBooks Over Traditional Books
2. Identifying Electronic Valves In A F Amplifiers
 - Exploring Different Genres
 - Considering Fiction vs. Non-Fiction
 - Determining Your Reading Goals
3. Choosing the Right eBook Platform
 - Popular eBook Platforms
 - Features to Look for in an Electronic Valves In A F Amplifiers
 - User-Friendly Interface
4. Exploring eBook Recommendations from Electronic Valves In A F Amplifiers
 - Personalized Recommendations
 - Electronic Valves In A F Amplifiers User Reviews and Ratings
 - Electronic Valves In A F Amplifiers and Bestseller Lists

5. Accessing Electronic Valves In A F Amplifiers Free and Paid eBooks
 - Electronic Valves In A F Amplifiers Public Domain eBooks
 - Electronic Valves In A F Amplifiers eBook Subscription Services
 - Electronic Valves In A F Amplifiers Budget-Friendly Options
6. Navigating Electronic Valves In A F Amplifiers eBook Formats
 - ePub, PDF, MOBI, and More
 - Electronic Valves In A F Amplifiers Compatibility with Devices
 - Electronic Valves In A F Amplifiers Enhanced eBook Features
7. Enhancing Your Reading Experience
 - Adjustable Fonts and Text Sizes of Electronic Valves In A F Amplifiers
 - Highlighting and Note-Taking Electronic Valves In A F Amplifiers
 - Interactive Elements Electronic Valves In A F Amplifiers
8. Staying Engaged with Electronic Valves In A F Amplifiers
 - Joining Online Reading Communities
 - Participating in Virtual Book Clubs
 - Following Authors and Publishers Electronic Valves In A F Amplifiers
9. Balancing eBooks and Physical Books Electronic Valves In A F Amplifiers
 - Benefits of a Digital Library
 - Creating a Diverse Reading Collection Electronic Valves In A F Amplifiers
10. Overcoming Reading Challenges
 - Dealing with Digital Eye Strain
 - Minimizing Distractions
 - Managing Screen Time
11. Cultivating a Reading Routine Electronic Valves In A F Amplifiers
 - Setting Reading Goals Electronic Valves In A F Amplifiers
 - Carving Out Dedicated Reading Time
12. Sourcing Reliable Information of Electronic Valves In A F Amplifiers
 - Fact-Checking eBook Content of Electronic Valves In A F Amplifiers
 - Distinguishing Credible Sources
13. Promoting Lifelong Learning

- Utilizing eBooks for Skill Development
 - Exploring Educational eBooks
14. Embracing eBook Trends
- Integration of Multimedia Elements
 - Interactive and Gamified eBooks

Electronic Valves In A F Amplifiers Introduction

In the digital age, access to information has become easier than ever before. The ability to download Electronic Valves In A F Amplifiers has revolutionized the way we consume written content. Whether you are a student looking for course material, an avid reader searching for your next favorite book, or a professional seeking research papers, the option to download Electronic Valves In A F Amplifiers has opened up a world of possibilities. Downloading Electronic Valves In A F Amplifiers provides numerous advantages over physical copies of books and documents. Firstly, it is incredibly convenient. Gone are the days of carrying around heavy textbooks or bulky folders filled with papers. With the click of a button, you can gain immediate access to valuable resources on any device. This convenience allows for efficient studying, researching, and reading on the go. Moreover, the cost-effective nature of downloading Electronic Valves In A F Amplifiers has democratized knowledge. Traditional books and academic journals can be expensive, making it difficult for individuals with limited financial resources to access information. By offering free PDF downloads, publishers and authors are enabling a wider audience to benefit from their work. This inclusivity promotes equal opportunities for learning and personal growth. There are numerous websites and platforms where individuals can download Electronic Valves In A F Amplifiers. These websites range from academic databases offering research papers and journals to online libraries with an expansive collection of books from various genres. Many authors and publishers also upload their work to specific websites, granting readers access to their content without any charge. These platforms not only provide access to existing literature but also serve as an excellent platform for undiscovered authors to share their work with the world. However, it is essential to be cautious while downloading Electronic Valves In A F Amplifiers. Some websites may offer pirated or illegally obtained copies of copyrighted material. Engaging in such activities not only violates copyright laws but also undermines the efforts of authors, publishers, and researchers. To ensure ethical downloading, it is advisable to utilize reputable websites that prioritize the legal distribution of content. When downloading Electronic Valves In A F Amplifiers, users should also consider the potential security risks associated with online platforms. Malicious actors may exploit vulnerabilities in unprotected websites to distribute malware or steal personal information. To protect themselves, individuals should ensure their devices have reliable antivirus software installed and validate the legitimacy of the websites they are downloading from. In conclusion, the ability

to download Electronic Valves In A F Amplifiers has transformed the way we access information. With the convenience, cost-effectiveness, and accessibility it offers, free PDF downloads have become a popular choice for students, researchers, and book lovers worldwide. However, it is crucial to engage in ethical downloading practices and prioritize personal security when utilizing online platforms. By doing so, individuals can make the most of the vast array of free PDF resources available and embark on a journey of continuous learning and intellectual growth.

FAQs About Electronic Valves In A F Amplifiers Books

What is a Electronic Valves In A F Amplifiers PDF? A PDF (Portable Document Format) is a file format developed by Adobe that preserves the layout and formatting of a document, regardless of the software, hardware, or operating system used to view or print it. **How do I create a Electronic Valves In A F Amplifiers PDF?** There are several ways to create a PDF: Use software like Adobe Acrobat, Microsoft Word, or Google Docs, which often have built-in PDF creation tools. Print to PDF: Many applications and operating systems have a "Print to PDF" option that allows you to save a document as a PDF file instead of printing it on paper. Online converters: There are various online tools that can convert different file types to PDF. **How do I edit a Electronic Valves In A F Amplifiers PDF?** Editing a PDF can be done with software like Adobe Acrobat, which allows direct editing of text, images, and other elements within the PDF. Some free tools, like PDFescape or Smallpdf, also offer basic editing capabilities. **How do I convert a Electronic Valves In A F Amplifiers PDF to another file format?** There are multiple ways to convert a PDF to another format: Use online converters like Smallpdf, Zamzar, or Adobe Acrobats export feature to convert PDFs to formats like Word, Excel, JPEG, etc. Software like Adobe Acrobat, Microsoft Word, or other PDF editors may have options to export or save PDFs in different formats. **How do I password-protect a Electronic Valves In A F Amplifiers PDF?** Most PDF editing software allows you to add password protection. In Adobe Acrobat, for instance, you can go to "File" -> "Properties" -> "Security" to set a password to restrict access or editing capabilities. Are there any free alternatives to Adobe Acrobat for working with PDFs? Yes, there are many free alternatives for working with PDFs, such as: LibreOffice: Offers PDF editing features. PDFsam: Allows splitting, merging, and editing PDFs. Foxit Reader: Provides basic PDF viewing and editing capabilities. How do I compress a PDF file? You can use online tools like Smallpdf, ILovePDF, or desktop software like Adobe Acrobat to compress PDF files without significant quality loss. Compression reduces the file size, making it easier to share and download. Can I fill out forms in a PDF file? Yes, most PDF viewers/editors like Adobe Acrobat, Preview (on Mac), or various online tools allow you to fill out forms in PDF files by selecting text fields and entering information. Are there any restrictions when working with PDFs? Some PDFs might have restrictions set by their creator, such as password protection, editing restrictions, or print restrictions. Breaking these

restrictions might require specific software or tools, which may or may not be legal depending on the circumstances and local laws.

Find Electronic Valves In A F Amplifiers :

~~gardening with colour~~

gcse physical education through diagrams school edition oxford revision guides

gathering evil

gardening in toronto

gauguin by himself

gathering storm the story of the green mountain boys.

gates of mitzvah a guide to the jewish life cycle

garfield says a mouthful garfield numbered hardcover

garretts interviewing

garnishing the basics and beyond

gardening ... naturally

gato tiene sueno

gdansk poetical kit

gcse mathematics revision worksheets for intermediate and higher copymasters smp gcse revision - hardcover

gates of sagittarius

Electronic Valves In A F Amplifiers :

forms manuals and resources human resources hernando - Apr 09 2023

web manuals evaluation observation manual fair labor standards act flsa manual instructional personnel evaluation manual

interviewing and hiring procedures manual

index curriculum hernando county school board - Nov 04 2022

web index the curriculum supervisors support all school sites by providing up to date information regarding academic

programming instructional resources and initiatives to

our school hernando eschool hernando county school board - Feb 07 2023

web welcome to our school hernando eschool is an innovative virtual campus that expands access to education meeting the

needs of our learners and investing in the leaders of

[student expulsion appeal hearing november 14 2023 school](#) - Feb 24 2022

web nov 14 2023 student progression plan school procedures handbook 2023 24 student services students families in transition hernando county education

[eschool handbook 2013 14 hernando county schools](#) - Aug 13 2023

web eschool handbook 2013 14 hernando county schools author online kptm edu my 2023 11 15 11 19 21 subject eschool handbook 2013 14 hernando county schools

hernando county school district hernando county school district - Dec 05 2022

web elementary schools brooksville elementary school chocachatti elementary school deltona elementary school eastside elementary school j d floyd elementary

[eschool handbook 2013 14 hernando county schools virginia](#) - Mar 08 2023

web eschool handbook 2013 14 hernando county schools this is likewise one of the factors by obtaining the soft documents of this eschool handbook 2013 14 hernando county

[eschool handbook 2013 14 hernando county schools pdf pdf](#) - Oct 15 2023

web eschool handbook 2013 14 hernando county schools pdf introduction eschool handbook 2013 14 hernando county schools pdf pdf campussuite

[eschool handbook 2013 14 hernando county schools](#) - May 10 2023

web eschool handbook 2013 14 hernando county schools author august blatt from media joomlashine com subject eschool handbook 2013 14 hernando county

college ehandbook school rules google sites - Dec 25 2021

web 8 for all other personal matters e g bereavement of an immediate family member emergencies at home attending awards ceremonies students are to apply for leave of

[hernando eschool hernando eschool hernando county](#) - Jul 12 2023

web hernando county college fair monday february 27 2023 springstead high school athletic handbook this site provides information using pdf visit this link to

[college ehandbook school management google sites](#) - Jan 26 2022

web deputy principal high school ms ho ping ping grace deputy principal student development college dr lim hong seng melvyn deputy principal admin ms lim

eschoolhandbook201314hernandocountyschools copy - May 30 2022

web eschool handbook 2013 14 hernando county schools virginia kroll school board school board hernando county school

board schools within board members 39

[eschool handbook 2013 14 hernando county schools](#) - Apr 28 2022

web may 30 2023 eschool handbook 2013 14 hernando county schools thefutureofbanking sunrisebanks com author jens westheimer

eschool handbook 2013 14 hernando county schools - Aug 01 2022

web sep 15 2023 eschool handbook 2013 14 hernando county schools author git 02 infra lede project org 2023 09 15 01 57 07 subject eschool handbook 2013 14

student e handbook bukit batok secondary school - Sep 02 2022

web student e handbook student e handbook timetable calendar students students fhbl seek discover and learn sdl fhbl matters school safety resources

[eschoolhandbook201314hernandocountyschools](#) - Mar 28 2022

web eschool handbook 2013 14 hernando county schools pdf 4 eschool handbook 2013 14 hernando county schools 2022 05 12 for optimizing optional working techniques within

[eschool handbook 2013 14 hernando county schools pdf](#) - Jun 11 2023

web mar 8 2023 you have remained in right site to start getting this info acquire the eschool handbook 2013 14 hernando county schools pdf join that we pay for here and check

[eschoolhandbook201314hernandocountyschools download only](#) - Jun 30 2022

web hernando county school district strategic plan 2018 2023 superintendent eschool handbook 2013 14 hernando county schools pdf 4 eschool handbook 2013 14

hernando county school district student - Nov 23 2021

web hernando county school district student progression plan and school procedures handbook entry promotion retention and graduation

student progression plan and school procedures handbook - Jan 06 2023

web connectors found in this school district student progression plan state board of education rule 6a 1 09401 2 it is the policy of the hernando county school district not to

[eschool handbook 2013 14 hernando county schools](#) - Sep 14 2023

web sep 11 2023 eschool handbook 2013 14 hernando county schools author nusantara sch id 2023 09 11 17 05 28 subject eschool handbook 2013 14 hernando

e student handbook and school letter meridian secondary - Oct 03 2022

web e student handbook and school letter the e student handbook provides important information such as school rules and

regulations student progression criteria to the next
manuals for aeroncas aeronca museum - Sep 16 2023

web manual number action manual title issued by revision 11a 11a aeronca chief service manual aeronca 1 apr 1946 18 mb
7a 7a aeronca champ service manual aeronca 1 apr 1946 15 mb e107e113 aeronca engine handbook aeronca 1938 27 mb
cm001 care and maintenance of the aeronca jap light aeroplane type acgb 100

wag aero aeronca parts manual service owners manuals manuals - Jul 02 2022

web maintenance additives air filters air filter assemblies replacement air filter elements replacement air filter assembly
cleaners corrosion protection aeronca parts manual 11ac chief code 7 product tags add your tags add tags use spaces to
separate tags use single quotes for phrases per ship n a special order n a

aeronca chief 11a service manual pdf scribd - Jul 14 2023

web jul 1 2019 service manual 114 aeronca chiefforeward this manual has been prepared to aid owners operators and
repairmen in protecting and maintaining the first in quality construction and performance of the 1946 aeronca chief all
engineering and service data pertinent to the aeronca chief model 11 a has been summarized in this

service manual eaircraftmanuals.com - Oct 05 2022

web aeronca 11 series chiefs 11ac s11ac 11bc s11bc pilot s operating manual

service manuals national aeronca association - Jun 13 2023

web chief service manual products will be delivered to the following address please ensure you enter the correct information
first name last name email address address line 1 address line 2 city state zip code country no payment items has been
selected yet

11sm aeronca 11ac service manual univair aircraft - Jan 28 2022

web this manual aids owners operators and repairmen in protecting and maintaining the quality construction and
performance of the 1946 aeronca chief all engineering and service data pertinent to the aeronca chief model 11

aeronca 11ac chief manuals user guides - Mar 10 2023

web aeronca 11ac chief manuals user guides user manuals guides and specifications for your aeronca 11ac chief tools
database contains 1 aeronca 11ac chief manuals available for free online viewing or downloading in pdf operating manual
pilot s operating manual aeronca 11 serie chief scribd - Feb 26 2022

web pilot s operating manual aeronca 11 serie chief free download as pdf file pdf or read online for free pilot s operating
manual for aeronca 11a s11ac 11bc and s11bc

aeronca manuals aeronca univair aircraft corporation - May 12 2023

web 11sm aeronca 11ac service manual this manual aids owners operators and repairmen in protecting and maintaining the

quality construction and performance of the 1946 aeronca chief all engineering and service data pertinent to the aeronca chief model 11 a has been summarized in this

aeronca 11ac chief operating manual pdf download manualslib - Oct 17 2023

web summary of contents for aeronca aeronca 11ac chief page 1 4 5 qt max oil temp at 100 f outside temp this manual is provided to the aeronca chief owner for flight and operating procedures it includes a copy of the aircraft type certificate as well as specifications and performance data

aeronca 11 chief wikipedia - Feb 09 2023

web 11ac aeronca 11ac chief 1986 the aeronca chief is a single engine light aircraft with fixed conventional landing gear and two seats in side by side configuration which entered production in the united states in 1945 designed for flight training and personal use the chief was produced in the united states between 1946 and 1950 the chief was known

aeronca 7ac pilot operating handbook aerowood aviation - Jun 01 2022

web it has been compiled from information in the service manual 7a aeronca champion published by wag aero in 1946 and usaf flight handbook for the usaf series l 16a and l 16b maintenance 8 1 8 1 taxiing 8 1 8 2 takeoff 8 1 8 3 landing 8 3 8 4 maneuvers 8 5 9 supplements 9 1

chief formatted manual - Aug 15 2023

web this manual is provided to the aeronca chief owner for flight and operating procedures it includes a copy of the aircraft type certificate as well as specifications and performance data the aeronca chief is designed and assembled so that proper care and maintenance will assure long life to the aircraft attention

aeronca service manuals aircraft spruce - Nov 06 2022

web aeronca service manuals the manuals has been prepared to aid owners operators and repairmen in protecting and maintaining the first in quality construction and performance of all aeronca aircraft quick shop

aeronca 11ac chief 1946 maintenance parts ae11ac 46 m c - Aug 03 2022

web aeronca 11ac chief 1946 maintenance parts ae11ac 46 m c by aeronca 25 00 sku 2622 r quantity add to cart

pilots operating handbook aeronca 11ac chief ov000937 - Apr 11 2023

web this pilot s operating handbook provides detailed instructions and illustrations to help pilots repair and maintain their aeronca 11ac chief ov000937 it is an essential resource for do it yourselfers and experienced mechanics alike offering step by step guidance for all necessary repairs and maintenance

aeronca chief 11ac flight manual ov001249 technical store - Nov 25 2021

web this aeronca chief 11ac flight manual ov001249 offers detailed illustrations and step by step instructions for repair and service of your aircraft this manual is available in electronic format allowing you to print out the page you need and dispose

of it

aeronca chief 11a service manual - Dec 07 2022

web aeronca chief 11a service manual aircraftmaintenancemanuals com home civilian aeronca service manual aeronca chief 11a service manual

aeronca chief maintenance manual pivotid uvu edu - Apr 30 2022

web aeronca chief maintenance manual aviation maintenance operations and aviation service magazine 1950 04 flying magazine 1953 02 federal register 1982 04 12 aerolog 1946 sport aviation 1979 service manual aeronca aircraft corporation 1946 flying magazine 1953 01 flying magazine 1952 09

aeronca chief service repair workshop manuals - Sep 04 2022

web our chief aeronca aeroplanes aircraft workshop manuals contain in depth maintenance service and repair information get your emanual now

aeronca chief poh ov000092 service manual repair manual - Jan 08 2023

web this aeronca chief poh ov000092 is an electronic manual that provides detailed instructions and illustrations for repair and service it is perfect for the do it yourselfer or experienced mechanic and is an inexpensive way to keep your car running properly

aeronca chief maintenance manual yunqian info - Mar 30 2022

web aeronca chief maintenance manual all usermanuals com provides access to over 500 000 manuals and user guides across 900 brands

7asm aeronca 7ac service manual univair aircraft - Dec 27 2021

web product description this manual aids owners operators and repairmen in protecting and maintaining the quality construction and performance of the 1946 aeronca chief all engineering and service data pertinent to the aeronca champion model 7a has been summarized in this manual

fundamentals of fluid mechanics philip m gerhart richard j - Apr 05 2022

web fundamentals of fluid mechanics philip m gerhart richard j gross addison wesley publishing company 1985 fluid mechanics 856 pages 0 reviews reviews aren t verified but google checks for and removes fake content when it s identified

munson young and okiishi s fundamentals of fluid mechanics - Apr 17 2023

web find step by step solutions and answers to munson young and okiishi s fundamentals of fluid mechanics 9781119597308 as well as thousands of textbooks so you can move forward with confidence fresh features from the 1 ai enhanced learning platform

solution manual for munson young and okiishi s fundamentals of fluid - Aug 09 2022

web solution manual for munson young and okiishi s fundamentals of fluid mechanics 8th edition philip m gerhart andrew l gerhart john i hochstein isbn 1119080703 isbn 9781119547990

[solution manual fundamentals of fluid mechanics 6th](#) - Jun 19 2023

web solution manual fundamentals of fluid mechanics 6th edition by munson 2009 1 of 1326 1 i 1 1 the force f of the wind blowing against a building is given by $f = c_d \rho v^2 A$ where v is the wind speed ρ the density of the air

solutions for fundamentals of fluid mechanics 8th by philip m gerhart - May 18 2023

web step by step video answers explanations by expert educators for all fundamentals of fluid mechanics 8th by philip m gerhart andrew l gerhart john i hochstein only on numerade com

[fundamentals of fluid mechanics philip m gerhart richard j](#) - Jan 14 2023

web fundamentals of fluid mechanics volume 2 of fundamentals of fluid mechanics p m gerhart r j gross volume 1 of solutions manual to accompany fundamentals of fluid

fundamentals of fluid mechanics 8th edition wileyplus access - Sep 10 2022

web jan 1 2016 fundamentals of fluid mechanics 8th edition offers comprehensive topical coverage with varied examples and problems application of visual component of fluid mechanics and strong focus on effective learning the text enables the gradual development of confidence in problem solving the authors have designed their

fundamentals of fluid mechanics gerhart solution manual - Jan 02 2022

web this fundamentals of fluid mechanics gerhart solution manual as one of the most functioning sellers here will extremely be among the best options to review fundamentals of fluid mechanics chapters 1 4 philip m gerhart 1992

[munson young and okiishi s fundamentals of fluid mechanics](#) - Feb 15 2023

web munson young and okiishi s fundamentals of fluid mechanics enhanced etext 9th edition isbn 13 9781119598114 isbn 1119598117 authors hochstein john i gerhart andrew l gerhart philip m rent buy this is an alternate isbn view the primary isbn for null null edition textbook solutions

[fundamentals of fluid mechanics 9th edition wileyplus](#) - Mar 16 2023

web fundamentals of fluid mechanics 9th edition by philip m gerhart andrew l gerhart and john i hochstein single term 76 95 usd 98 95 can munson young and okiishi s fundamentals of fluid mechanics offers comprehensive topical coverage with varied examples and problems application of visual component of fluid mechanics and

[munson young and okiishi s fundamentals of fluid mechanics 9th](#) - Nov 12 2022

web fundamentals of fluid mechanics 9th edition offers comprehensive topical coverage with varied examples and problems application of the visual component of fluid mechanics and a strong focus on effective learning the authors have designed their presentation to enable the gradual development of reader confidence in problem solving

[fundamentals of fluid mechanics 8th edition wileyplus](#) - Dec 13 2022

web by philip m gerhart andrew l gerhart and john i hochstein fundamentals of fluid mechanics offers comprehensive topical coverage with varied examples and problems application of visual component of fluid mechanics and a

[fundamentals of fluid mechanics andrew l gerhart philip m gerhart](#) - Mar 04 2022

web fluid mechanics is the discipline within the broad field of applied mechanics that is concerned with the behavior of liquids and gases at rest or in motion it covers a vast array of phenomena that occur in nature with or without human intervention in biology and in numerous engineered invented or manufactured situations

munson young and okiishi s fundamentals of fluid mechanics - Jun 07 2022

web fundamentals of fluid mechanic 8th edition offers comprehensive topical coverage with varied examples and problems application of visual component of fluid mechanics and strong focus on effective learning the text enables the gradual development of confidence in problem solving

fundamentals of fluid mechanics gerhart solution manual - May 06 2022

web jan 19 2023 fundamentals of fluid mechanics gerhart solution manual munson young and okiishi s fundamentals of fluid mechanics binder ready version 8th edition gerhart gerhart hochstein solution manual get this from a library solutions manual fundamentals of fluid mechanics 2nd ed philip m gerhart

fundamentals of fluid mechanics 6 e munson solution manual - Oct 11 2022

web may 11 2022 fundamentals of fluid mechanics 6e munson solution manual pdf addeddate 2022 05 11 08 36 51 identifier fundamentals of fluid mechanics 6 e munson solution manual identifier ark ark 13960 s28zw8mfvrt ocr tesseract

[fundamentals of fluid mechanics by philip m gerhart goodreads](#) - Feb 03 2022

web nov 1 2020 fundamentals of fluid mechanics philip m gerhart andrew l gerhart contributor john i hochstein contributor 0 00 0

fundamentals of fluid mechanics solutions manual doku - Aug 21 2023

web fundamentals of fluid mechanics solutions manual july 2019 pdf bookmark this document was uploaded by user and they confirmed that they have the permission to share it if you are author or own the copyright of this book please report to us

fundamentals of fluid mechanics solutions manual philip m gerhart - Jul 20 2023

web fundamentals of fluid mechanics solutions manual volume 1 philip m gerhart richard j gross john i hochstein addison wesley publishing company 1992 fluid mechanics

[fundamentals of fluid mechanics by philip m gerhart open library](#) - Jul 08 2022

web fundamentals of fluid mechanics by philip m gerhart p m gerhart richard j gross 1985 addison wesley pub co edition in english

